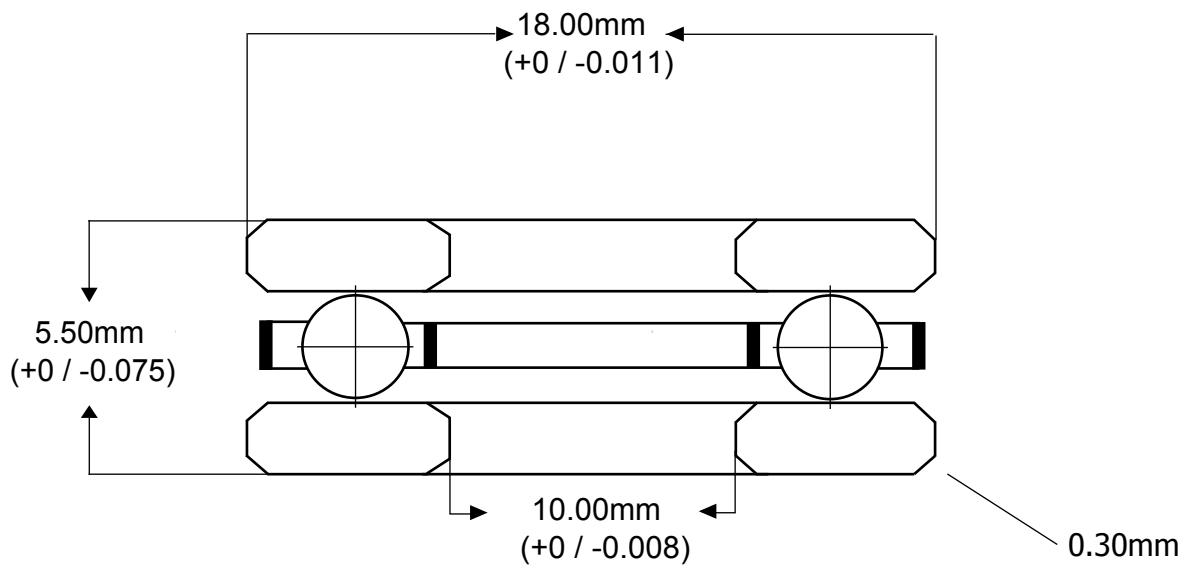


SMB Thrust Bearing

F10-18 (flat washers)



Material:

Balls & Washers:

Chrome Steel

Cage: Brass

Lubrication:

Light Oil (AF2)

Load Ratings:

80kgf (dynamic)

71kgf (static)