

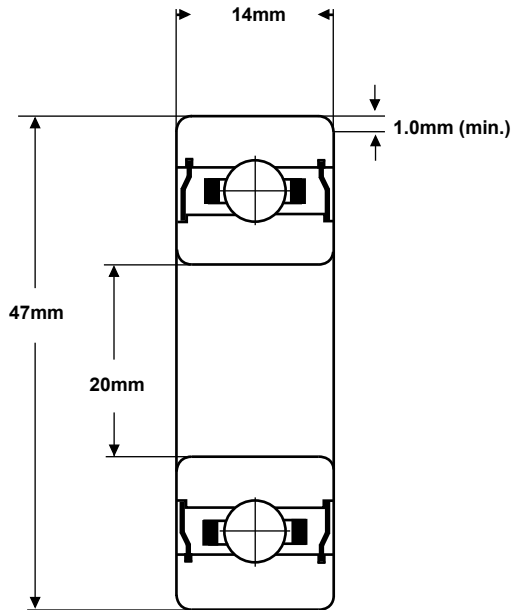
SMB Bearings

Radial Ball Bearing

Part Number: S316-6204-2PES



(for illustration only)



Material (rings & balls)	AISI316L stainless steel
Material (cage)	PE or PEEK
Closures	PE or PEEK seals
Load rating (stat)	109 Kgf
Load rating (dyn)	157 Kgf
Speed Limit *	1100 rpm
Standard Lubrication **	Grease

* with adequate lubrication
 ** may vary

These bearings comply with EU ROHS and REACH regulations.

RADIAL PLAY	C2	CN	C3	C4
(microns)	0 - 10	5 - 20	13 - 28	20 - 36

TOLERANCE	
Bore Deviation	+0 / -0.050mm
OD Deviation	+0 / -0.050mm
Width Deviation	+0 / -0.120mm

SMB Bearings take no responsibility for any errors or omissions in this data sheet. We reserve the right to change specifications without prior notice. We recommend that adequate testing is carried out on products before they are determined as suitable for an application.